

JB LIGHTING

SPARX 9

WASHBEAM

The highly luminous motion talent with extremely fast pan-tilt moves, zoom changes and excellent beams!



**7 x
40 Watt**
LED output

**Zoom
2.4°-55°**
(1:23.9)

**only
29 dB(A)**
extremely
quiet

**only
9.8 kg**
weight

**Made in
GERMANY**

...JUST BRILLIANT

Sparx 9: The small, incredibly agile powerhouse that packs a WOW factor!

The Sparx 9 Washbeam featuring 7x 40 Watt RGBW LEDs comes in a very compact, lightweight design weighing just 9.8 kg and boasting newly developed optics and great beam characteristics. Its pan-tilt movements are extremely fast and as precise as its zoom. Its robust and sophisticated design makes it the ideal effect spotlight for low-maintenance and cost-effective use in the rental business.

Its outstanding color mixing and beam quality as well as its extremely quiet operation also make it ideal as a moving head for fixed installations in concert halls, theatres or TV studios. As is the case with all Sparx spotlights, this small all-rounder comes with single pixel control, sparkle channel, layer function and perfect dimming properties. It is possible to set the basic color temperature using eight predefined color temperature values or to adjust it variably from 2000 – 12000 K, making it perfect for integration into any lighting environment.

Sparx 9 – small yet so powerful:

- Zoom range from 2.3°–55° (1:23.9), zoom change (min|max): approx. 0.5 sec.
- Perfect color mixing characteristics as well as scattered light-optimised, homogeneous beams
- High-resolution, stepless and color-accurate dimming from 0–100%
- Overlay of multiple layers with independent patterns
- Electronic strobe with pulse and random effects
- Individual LED single pixel control
- Sparkle channel for dynamic effectse
- Flicker-free operation, camera mode up to 600 Hz
- Separate CTC channel
- Ultra-quiet 29 dB(A)
- Basic color temperature can be selected:

2700 K

3200 K

4200 K

5600 K

6000 K

6500 K

7000 K

8000 K



Find more information at:
www.jb-lighting.de

EXCELLENT BEAM PROPERTIES

Its newly developed optics ensure that the Sparx 9 provides extremely homogeneous illumination irrespective of color, zoom and intensity – with minimum scattered light.



Uniform illumination

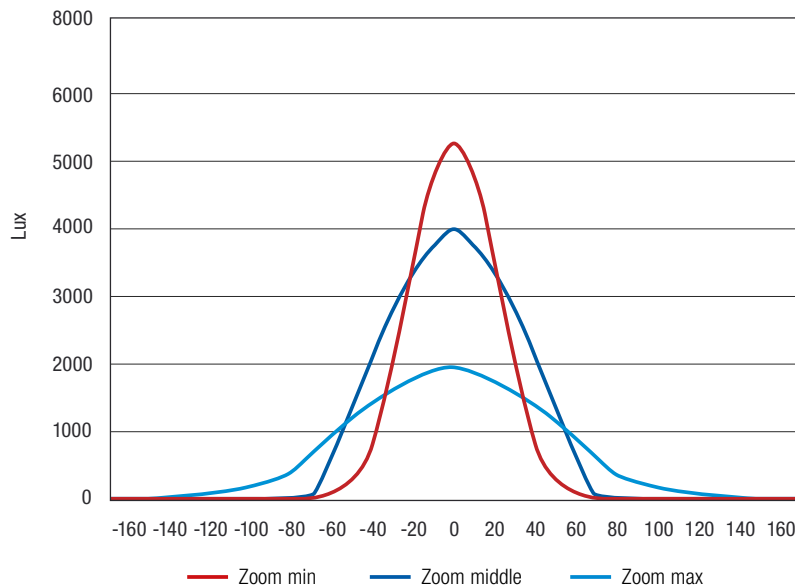


Beams optimised for scattered light

STEPLESS ZOOM: 2.3° – 55° (1:23.9)

The Sparx 9 switches the zoom angle from 2.3°–55° in just 0.5 seconds, putting it at the top of the JB pixel washers. It is generally in a class of its own when it comes to speed. The way it changes position, color and zoom quickly, precisely and dynamically is truly impressive and establishes even more scope for creating further fast-paced highlights in lighting design.

Sparx 9 light distribution



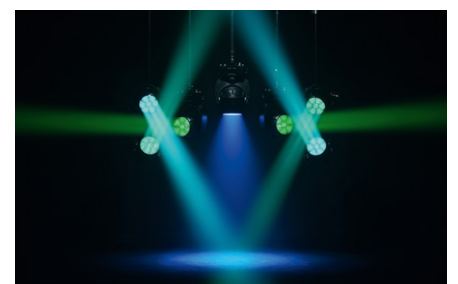
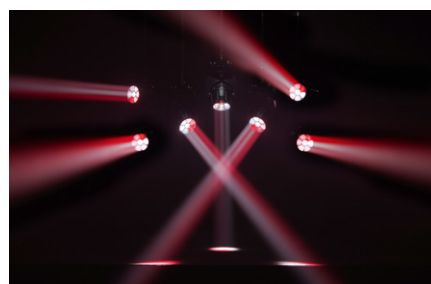
Narrow beam with minimum 2.3°



Wide distribution up to a maximum of 55°

FASCINATING BEAM AND SHOW EFFECTS

The brightness, variety of colors and patterns as well as the perfect dimming properties of its 7 LEDs ensure that the Sparx 9 is a big hit on any stage and delivers optimum lighting. Its performance is also impressive when it comes to effective backlighting applications thanks to the sparkle effect, single pixel control, CTC channel, etc. It is also small, compact, weighing in at just 9.8 kg, takes up very little space in the rig and fits into any lighting set-up due to its variably adjustable basic color temperature.



Technical specifications:

Optics and light source

- 7 RGBW high-performance LEDs of 40 W each, up to 3,500 lm output
- > 20.000 h life time
- Flicker-free operation, camera mode: 100, 120 and 600 Hz
- Zoom range 2.3°–55° (1:23.9);
2.3°–33° at ½ peak; 4.4°–55° at 1/10 peak
- Highly efficient optics for perfect color mixing
- Minimal scattered light
- Encapsulated optical system

Effects

- Individual LED control – Single pixel control
- Sparkle channel for dynamic effects
- Multiple layers with independent patterns can be stacked on top of each other
- Countless color and pattern combinations
- Separate CTC channel
- Color temperature accuracy +/- Green shift (Black Body Shift)
- High-resolution, steplessly variable dimmer 0–100%
- Color-accurate dimming
- Electronic strobe with pulse and random effects
- Basic color temperature of the spotlight infinitely variable:
2700 K, 3200 K, 4200 K, 5600 K, 6000 K, 6500 K, 7000 K or 8000 K as well as variable from 2000 K to 12000 K

Movement

- 3 phase extra strong stepping motors
- Precise, very fast and silent movement
- Quick, quiet zoom (maximum angle change 2.3°–55° in 0.5 s)
- 540° Pan / 234° Tilt

Control and programming

- USITT DMX-512, RDM
- Ethernet interface with Art-Net, sACN and Kling-Net
- Wireless DMX / RDM Lumen Radio CRMX TiMo
- Bluetooth, Wifi
- Mini USB for software update
- LCD display with function keys and battery buffer, electronically rotatable
- Stand-alone mode, master/slave function
- Built-in DMX analyser

Construction

- Robust, roadworthy design
- Individually changeable LEDs
- Fan control for almost noiseless operation, 29 dB(A)
- Neutrik 5pin XLR IN/OUT
- RJ45 IN/OUT network socket
- Power IN/OUT
- 5pin IN/OUT socket (prepared for battery operation)

Rigging

- 2 Omega brackets with Original Camloc® fasteners for quick and convenient installation in any position, with four different fastening options
- Optional: Diagonal omega bracket for two additional mounting possibilities

Electrical specification

- Max. power consumption 300 VA
- Input voltage range 100 V–240 V, 50/60 Hz

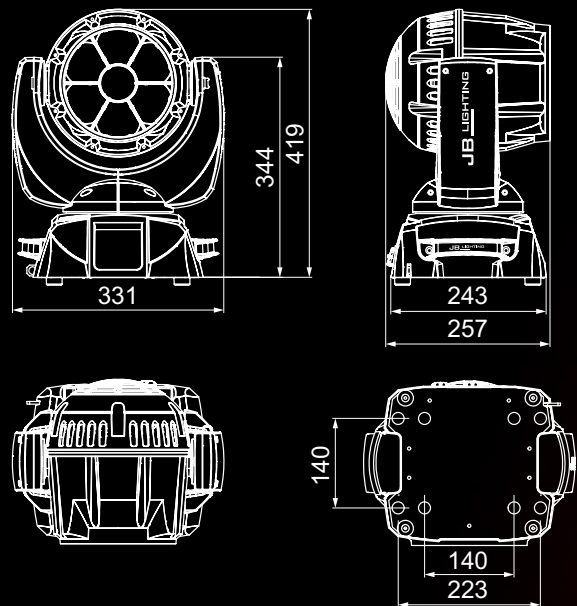
Mechanical specifications

- Dimensions: B 331 x D 243 x H 445 mm
- Weight: 9,8 kg

Scope of delivery

- Schuko on powerCON TRUE1, flexible rubber cable (2m long, 3 x 1.5 mm²)
- 2 Omega brackets

Dimensions:



Accessories:

- **Diagonal Omega bracket** (Code BLOB03)
– for individual holding fixture

JB LIGHTING

JB-Lighting Lichtenagenteknik GmbH
Sallersteig 15 · D-89134 Blaustein · Tel. +49 (0)7304 9617-0
E-Mail: info@jb-lighting.de · www.jb-lighting.de